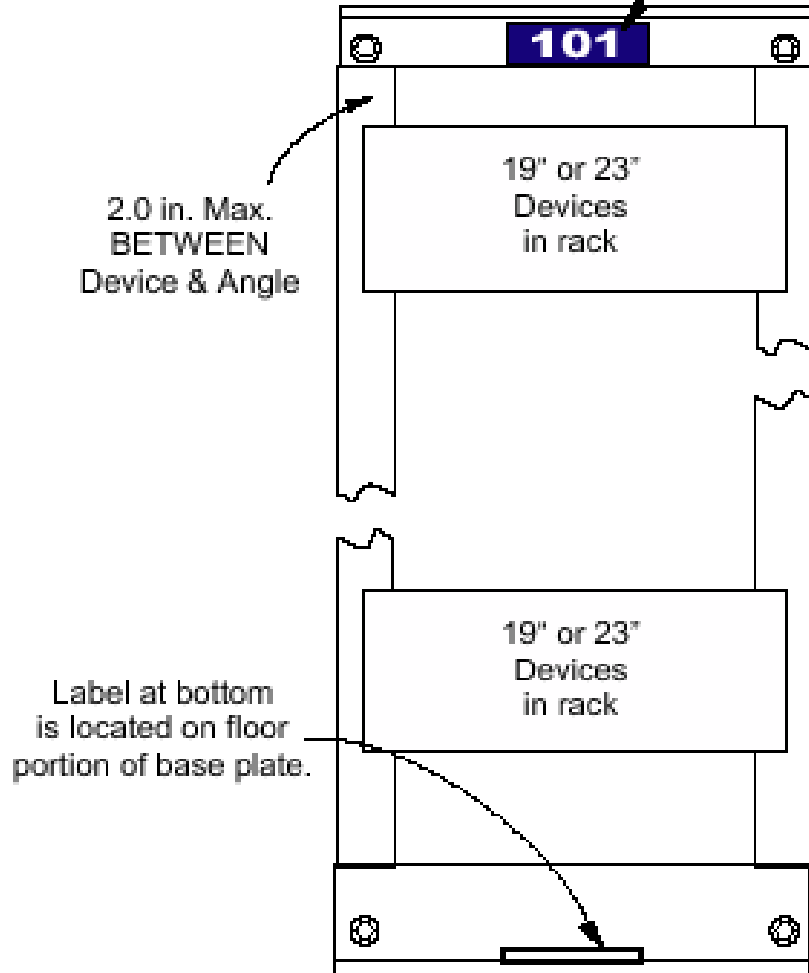


1-1/2in. by 4in. Plastic Label  
Engraved w/ 3/4in. min. letters.

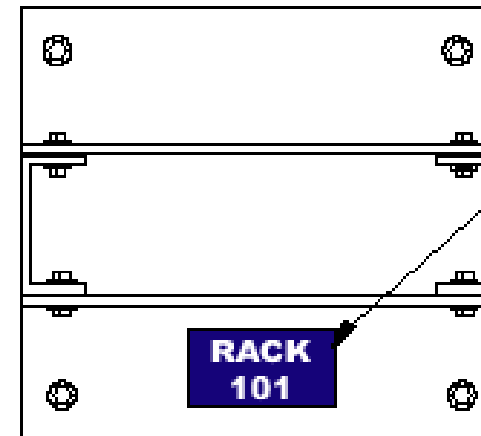
**"101"**



**FRONT ELEVATION**

3in. by 4in. Plastic Label  
Engraved w/ 3/4in. min. letters.

**"RACK"**  
**"101"**



Front of Rack

**PLAN VIEW**

**TELECOMMUNICATIONS  
CONSTRUCTION  
STANDARDS**

by Vern Bouwman - RCDD Retired  
1-18-2002

**Rooms  
and  
Cabinets**

Description  
**NUMBERING  
of  
Equipment Racks**

DRAWING

**RK-NBR**