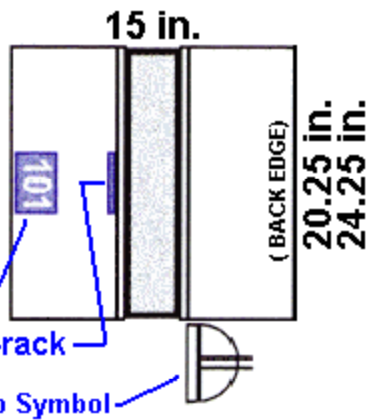


Number Rack by placing (2) Plastic Engraved Labels



Data Racks should be shown on the "PLAN VIEW" of drawings, as depicted left, with only the rack number - no dimensions. The symbol is drawn to scale and the Power Strip symbol can be sized to 7 in. Wide to aid in spacing the racks.

Front @ floor

Front @ top-o-rack

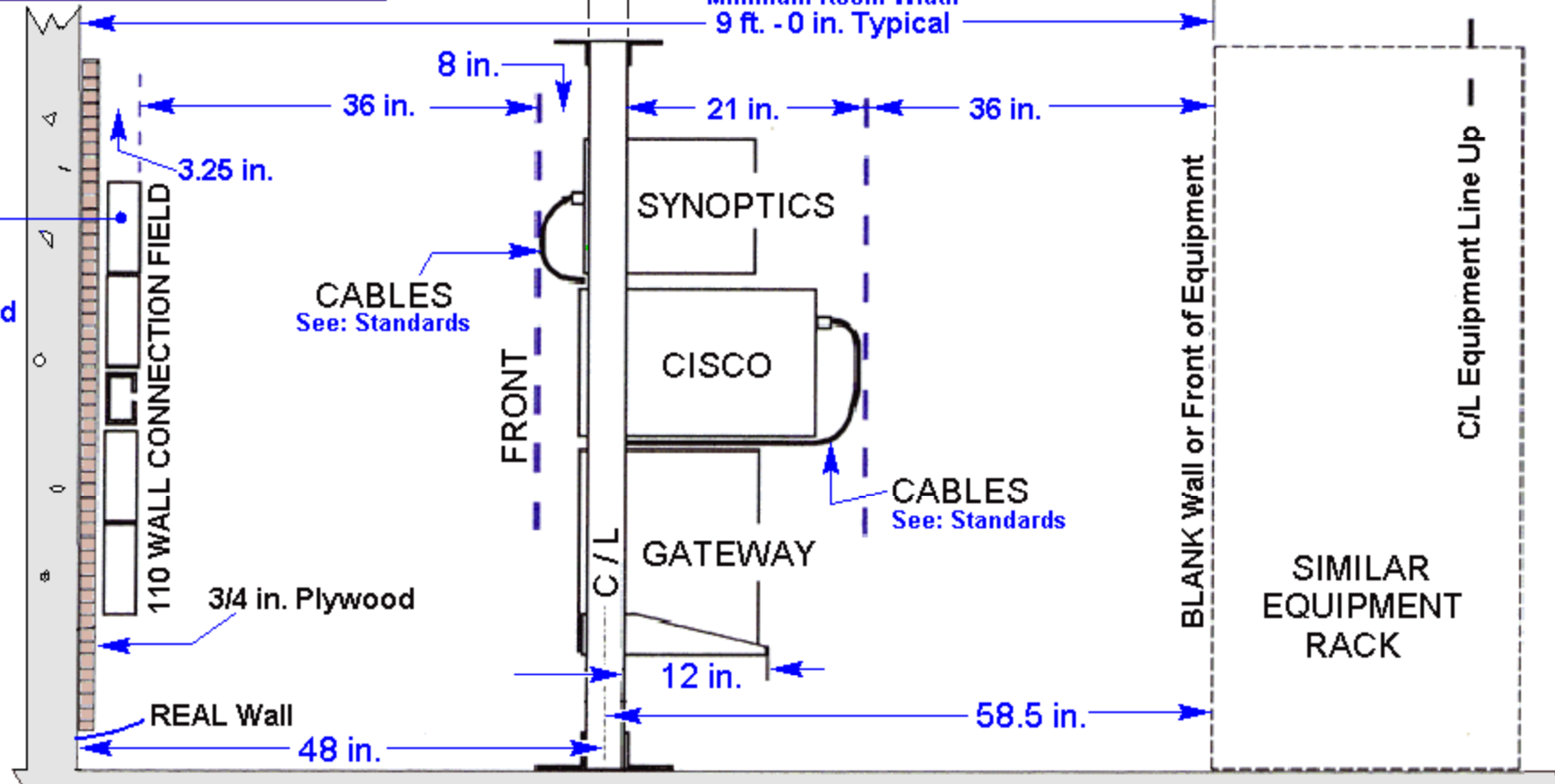
Power Strip Symbol

Possible Requirements  
 6 ft. - 8 in. (Back - Back)  
 4 ft. - 4 in. (Front - Front)  
 5 ft. - 6 in. (Front - Back)

3.0 in.

Minimum Room Width  
 9 ft. - 0 in. Typical

See:  
 Wall  
 Layout  
 Standard



CABLES  
 See: Standards

CABLES  
 See: Standards

**TELECOMMUNICATIONS  
 CONSTRUCTION  
 STANDARDS**  
 by Vern Bouwman - RCDD Retired  
 1-8-2001

**ROOMS  
 and  
 CABINETS**

Description  
**CLEARANCES**

DRAWING  
**RK-DSG**