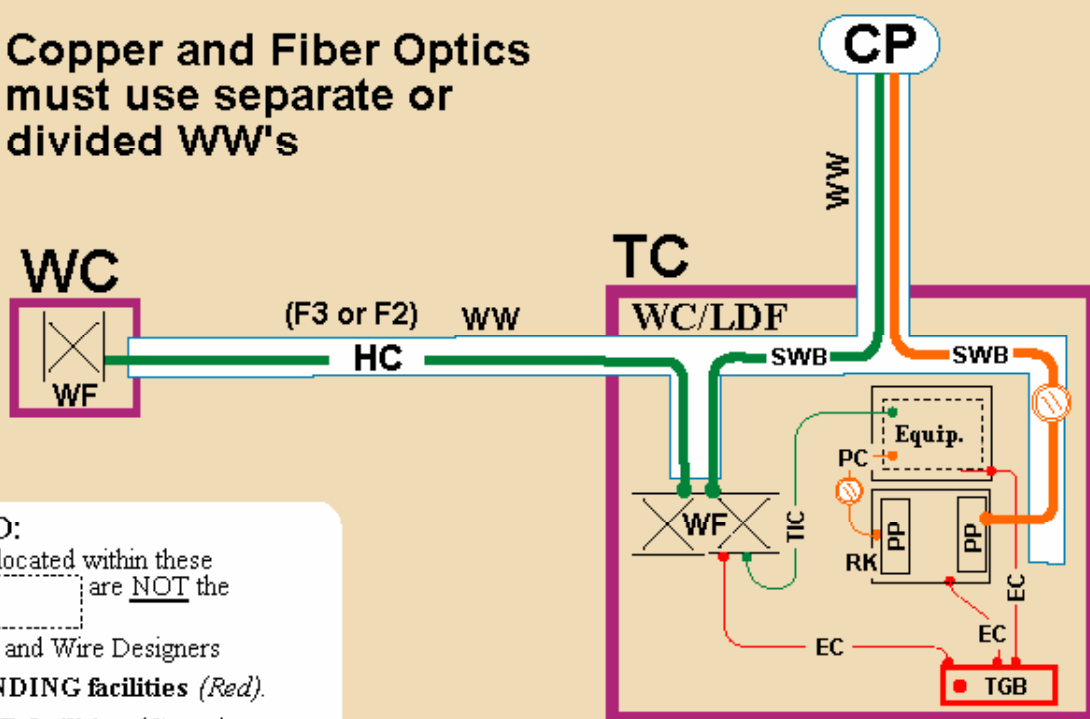


# Figure 3. Building Horizontal Distribution

Bldg. No. \_\_\_\_\_

**NOTE:** Copper and Fiber Optics must use separate or divided WW's



**LEGEND:**

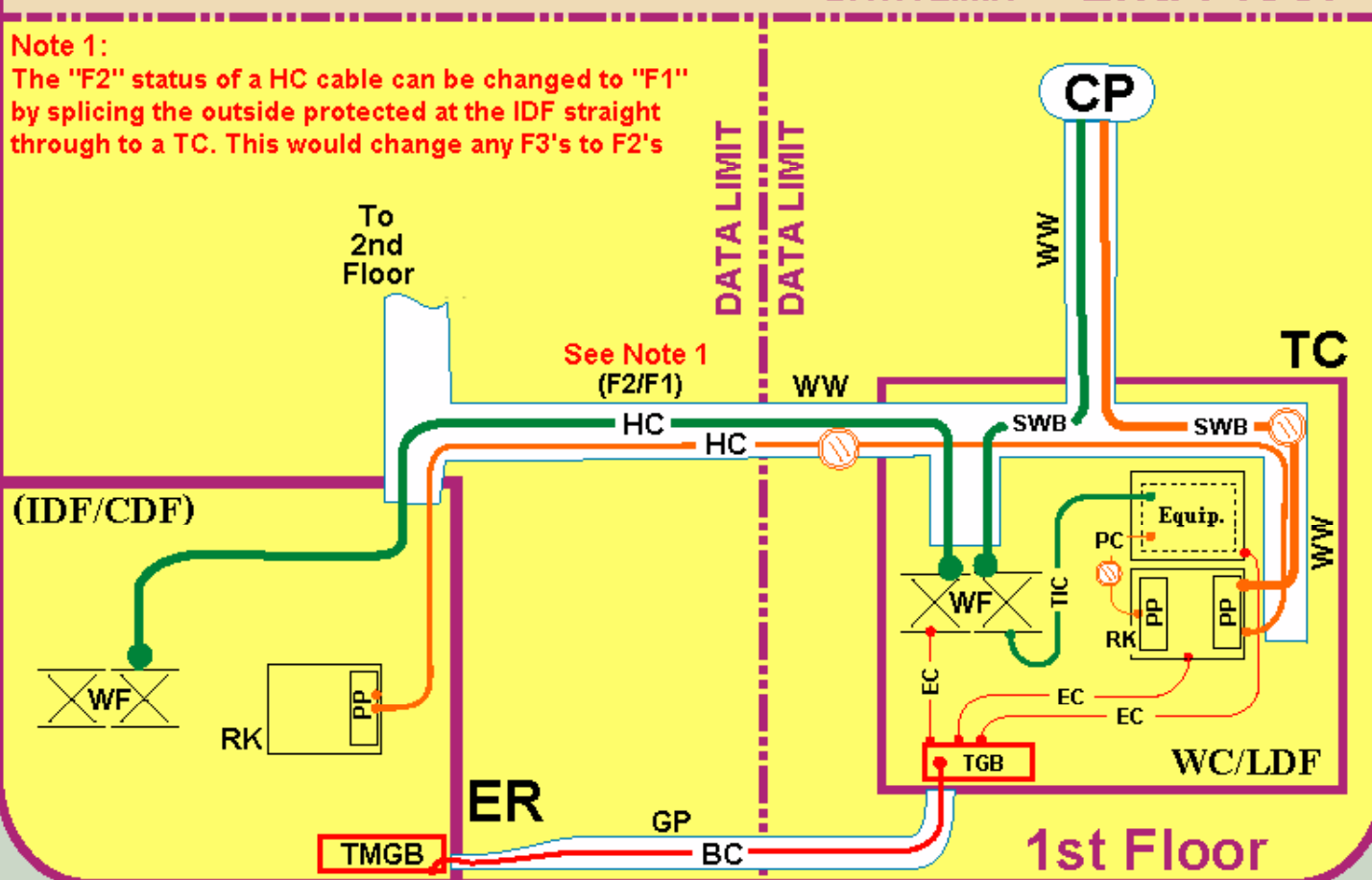
Media Facilities located within these dashed boxes are NOT the responsibility

of Cable and Wire Designers

- █ GROUNDING facilities (Red).
- █ COPPER facilities (Green).
- █ FIBER OPTIC facilities (Orange).
- █ SUPPORT facilities (Blue).

DATA LIMIT 2nd Floor

**Note 1:**  
The "F2" status of a HC cable can be changed to "F1" by splicing the outside protected at the IDF straight through to a TC. This would change any F3's to F2's



1st Floor